



4K/8K HDR Monitor

aura UHD Series-aura UHD 24 / aura UHD 27 / aura UHD 32

12G-SDI Professional Film and Television Production Monitor.

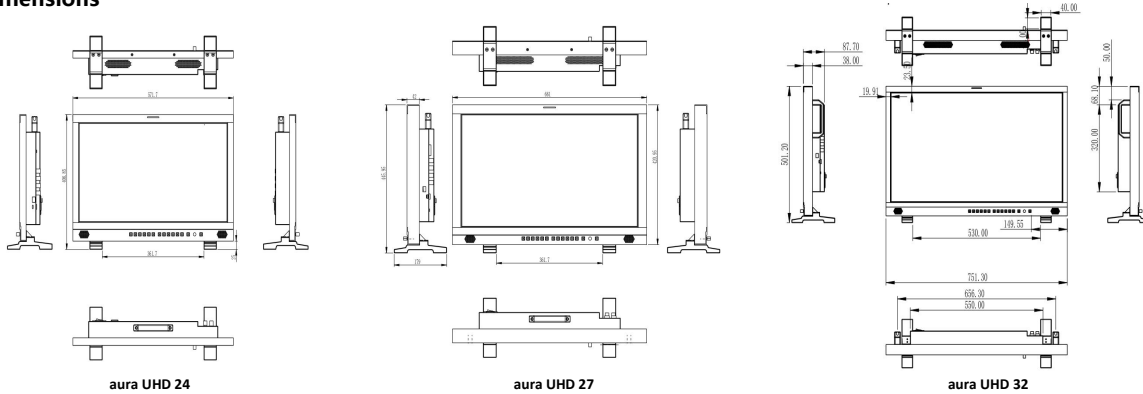
This series is broadcast-grade 4K/8K HDR monitor, equipped with UHD (3840×2160) screen, supports quad link 12G SDI signal up to 8K input backward compatible with 4K@60Hz, supports high-precision 3D LUT with tetrahedral interpolation algorithm, supports HDR formats such as SMPTE ST2084(PQ), hybrid log-gamma HLG, various Gamma curves, camera Log and other professional functions which are widely used in film, television and advertisement industry.

Key Features

- 12G-SDI 4K/8K HDMI signal
- 4K IPS LCD panel
- Wide color gamut
- Professional on set monitoring tools
- Accurate 3D LUT color calibration
- Multiple screen modes
- SDR and HDR image comparison function

- 12G-SFP fiber port
- USB-C (Thunderbolt) input port
- Aluminum alloy frame
- Payload ID automatically read
- 3D LUT, recreate film looks
- Three color Tally lights
- VESA mounting points

Dimensions



Specification

aura UHD Series 4K/8K HDR Monitor

Model	aura UHD 24	aura UHD 27	aura UHD 32		
Physical	Net Weight	8.6kg	11.4kg	15.3kg	
	Packaged Weight	12kg	15.3kg	20.6kg	
	Net Dimension	571.7mm × 160mm × 414.85mm	661mm × 420mm × 179mm	751mm × 502mm × 179mm	
	Packaged Dimension	800mm × 250mm × 555mm	890mm × 270mm × 595mm	980mm × 270mm × 675mm	
Connectors	Input	12G-SDI HDMI 2.0 SFP Type-C/Thunderbolt3	4xBNC 2xHDMI-A 12G Fiber 1xUSB-C		
	Output	12G-SDI	4xBNC		
Performance	Panel	Model	aura UHD 24	aura UHD 27	aura UHD 32
		Size	23.8 inch	27 inch	32 inch
		Brightness	540 cd/m ²	800 cd/m ²	700 cd/m ²
		Type	LCD IPS Panel		
		Resolution	3840 × 2160		
		Pixel Pitch	0.1369 (H) × 0.1369 (V) mm		
		Aspect Ratio	16:9		
		Backlight	LED		
		Contrast Ratio	1200:1		
		Color Depth	10bits(1.07B)		
Image Processing	12bits				
Response	9ms				
Viewing Angle	178°/178°				
Video Signal Format	SDI Signal Format	SMPTE-425M-A/B:1080p@50/59.94/60; SMPTE-274M:1080p@23.98/24/25/29.97/30; SMPTE-296M:720p@50/59.94/60; SMPTE ST 2036-1:2009:3840×2160p@23.98/24/25/29.97/30/50/59.94/60; SMPTE ST 2048-2:2011:2048×1080p@23.98/24/25/29.97/30p/psf, 47.95/48/50/59.94/60p; SMPTE ST 2081:3840×2160p@24/25/30; SMPTE ST 2082:3840×2160p@24/25/30/50/60;			
	HDMI Signal Format	720p@50/59.94/60;1080i@50/59.94/60; 1080p@23.98/24/25/29.97/30/50/59.94/60; 3840×2160p@23.98/24/25/29.97/30/50/59.94/60; 4096×2160p@23.98/24/25/29.97/30/50/59.94/60;			
Audio	Audio de-embedding	Support			
Audio Meter	16 channels (Up to 8 channels can be displayed simultaneously.)				
Built-in speaker	1×8 ohm/0.5W				
Headphone	Stereo mini jack*1				
General	Control/Update	1×RJ45			
	GPI	GPI1-5, 1×RJ-45			
	Serial port	RS-422, 2×RJ-45 (1 in 1 out)			
Power	Input Voltage	AC100~240V 50/60Hz			
	Power Consumption (Max)	aura UHD 24 90W	aura UHD 27 98W	aura UHD 32 132W	
Environment	Operating Temperature	-10°C ~ 55°C (14°F to 155°F)			
	Operating Humidity	30% ~ 85%, RH			
	Storage Humidity	-20-60°C			

Order Codes

Product Code	Item
400-2380-02-0	aura UHD 24
400-2700-02-0	aura UHD 27
400-3200-02-0	aura UHD 32

Contact us

Tel: +86-592-5771197

Fax: +86-592-5788216

E-mail: sales@rgblink.com

Headquarter: Room 601A, No. 37-3 Banshang community, Building 3, Xinke Plaza,
Torch Hi-Tech Industrial Development Zone, Xiamen, China

RGBlink
www.rgblink.com

