

# BASIC PARAMETERS

Screen size	Dimension	Weight
5.5"	145.4x91.4x39.6mm	362g
Brightness	Contrast ratio	Maximum power
2000nits	1000:1	17W
Color depth	Resolution	Input voltage
10bit (8+2FRC)	1920x1080	7~24V
Material	Viewing angle	Fan
Aluminum alloy	178°H/178°V	Yes
Signal conversion	TILTA nucleus control interface	
HDMI/SDI conversion	UART	
Camera control interface	Audio output	
Remote	3.5mm Headphone jack	
Signal input	Supported battery model	
3G SDI、4K60p HDMI	NP-F970/960/F750/F550	
Signal output	USB-A	
3G SDI、4K60p HDMI	Upgrade firmware / Load LUT	
Operating system	Power input	
CINENORM OS	4-pin aviation connector + 2-pin LEMO	
OSD Languages		
简体中文/繁體中文/English/日本語/Русский/Français/español		

## SUPPORTED INPUT/OUTPUT RESOLUTION AND FRAME RATE

### 4K HDMI input/output signal

4096×2160p@23.97Hz,24Hz,25Hz,29.97Hz,30Hz,50Hz,59.94Hz,60Hz

3840×2160p@23.97Hz,24Hz,25Hz,29.97Hz,30Hz,50Hz,59.94Hz,60Hz

### HDMI input/output signal

1920×1080p@23.97Hz,24Hz,25Hz,29.97Hz,30Hz,50Hz,59.94Hz,60Hz

1920×1080psf@23.97Hz,24Hz,25Hz,29.97Hz,30Hz

1920×1080i@50Hz,59.94Hz,60Hz

1280×720p@50Hz,59.94Hz,60Hz

720×576p&720×576i@50Hz

720×480p&720×480i@50Hz,59.94Hz,60Hz

### SDI input/output signal

1920×1080p@50fps,59.94fps,60fps

1920×1080p@50Hz,59.94Hz,60Hz YUV422

1920×1080p@23.98Hz,24Hz,25Hz,29.94Hz,30Hz YUV444/YUV422

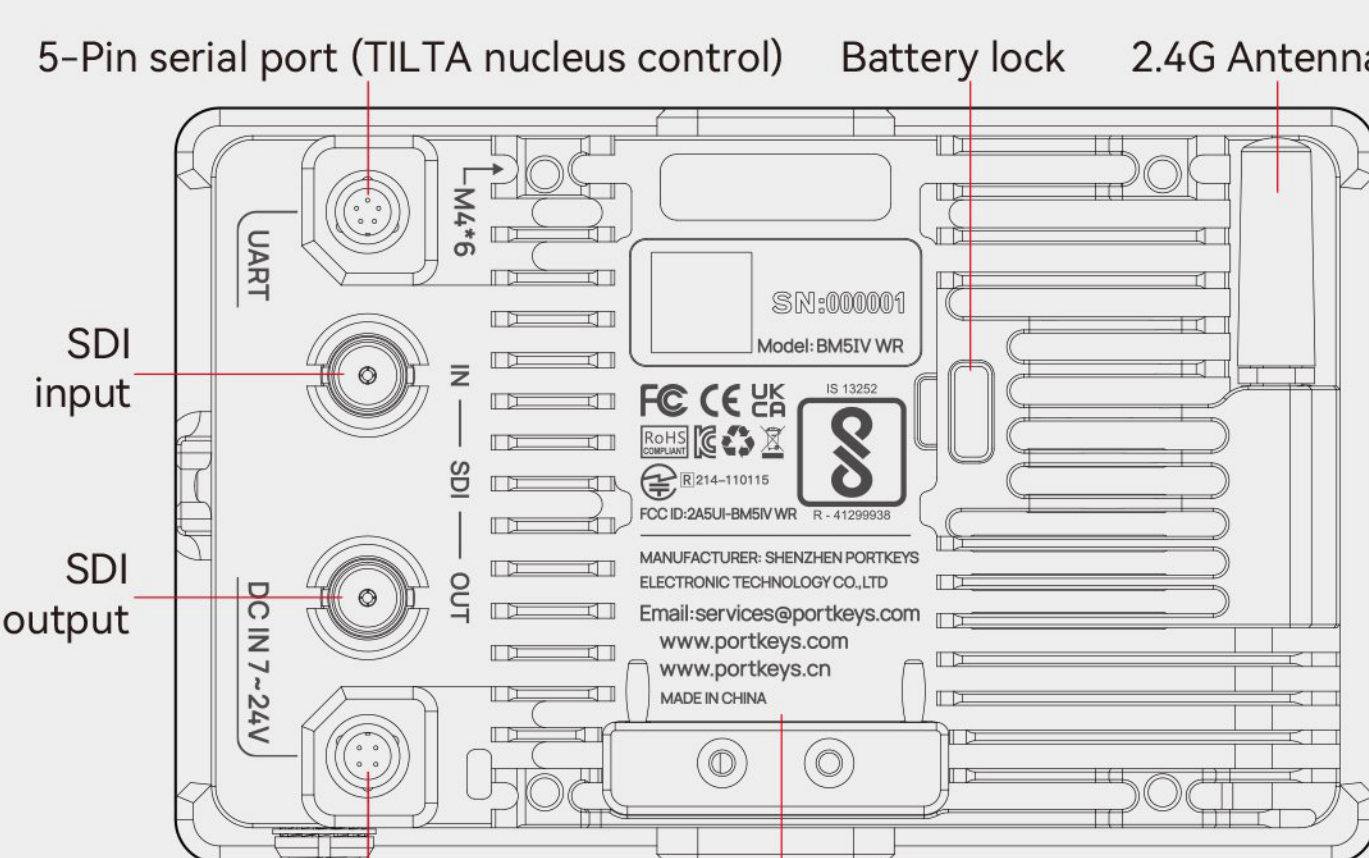
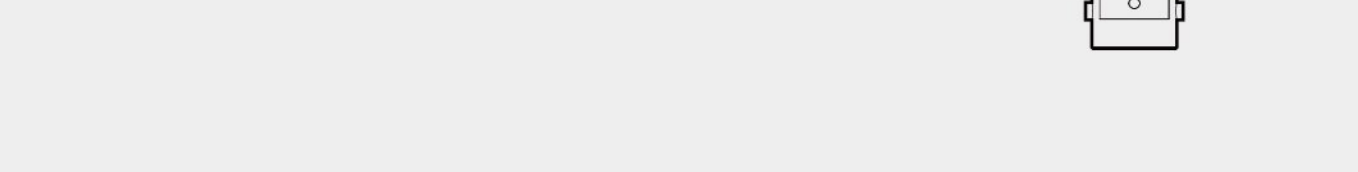
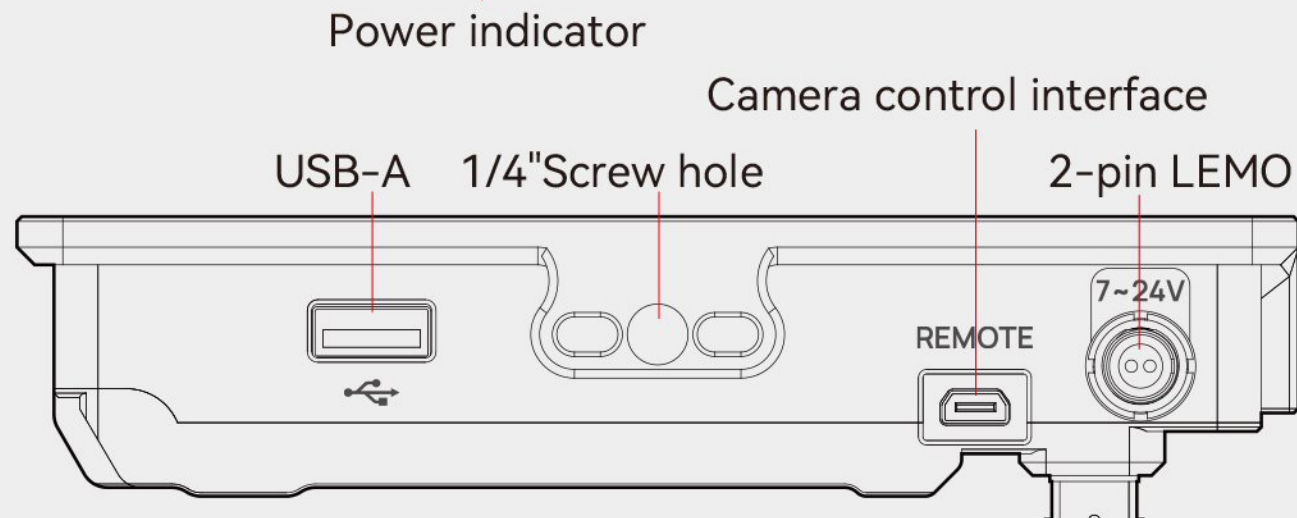
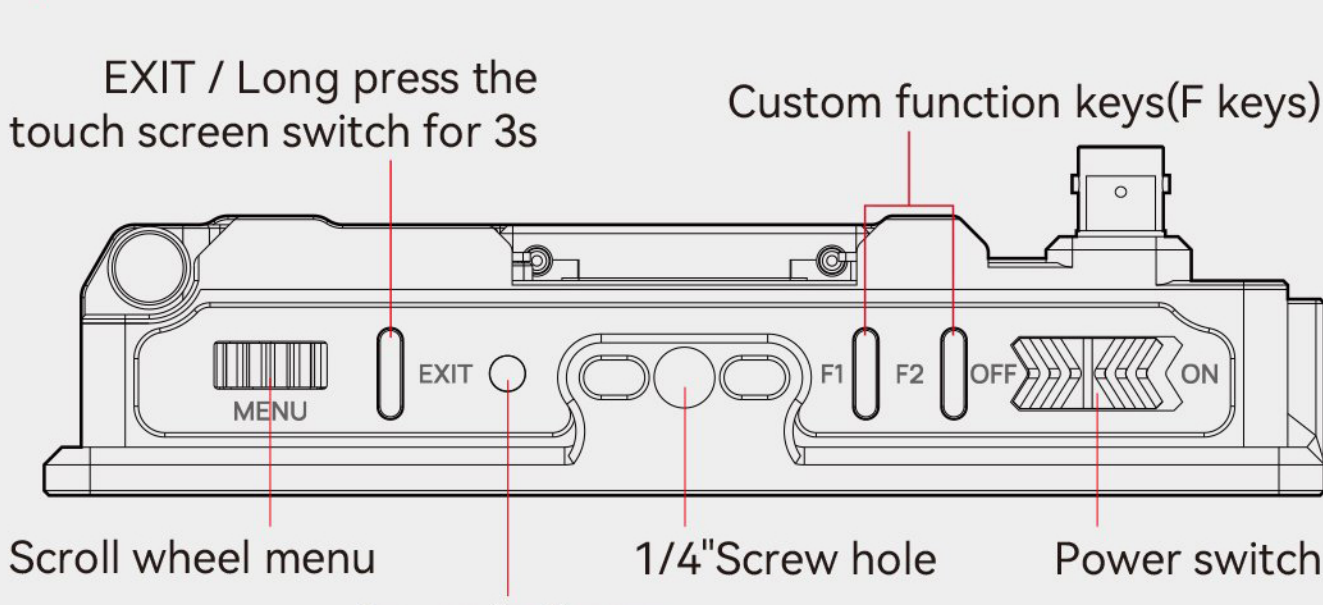
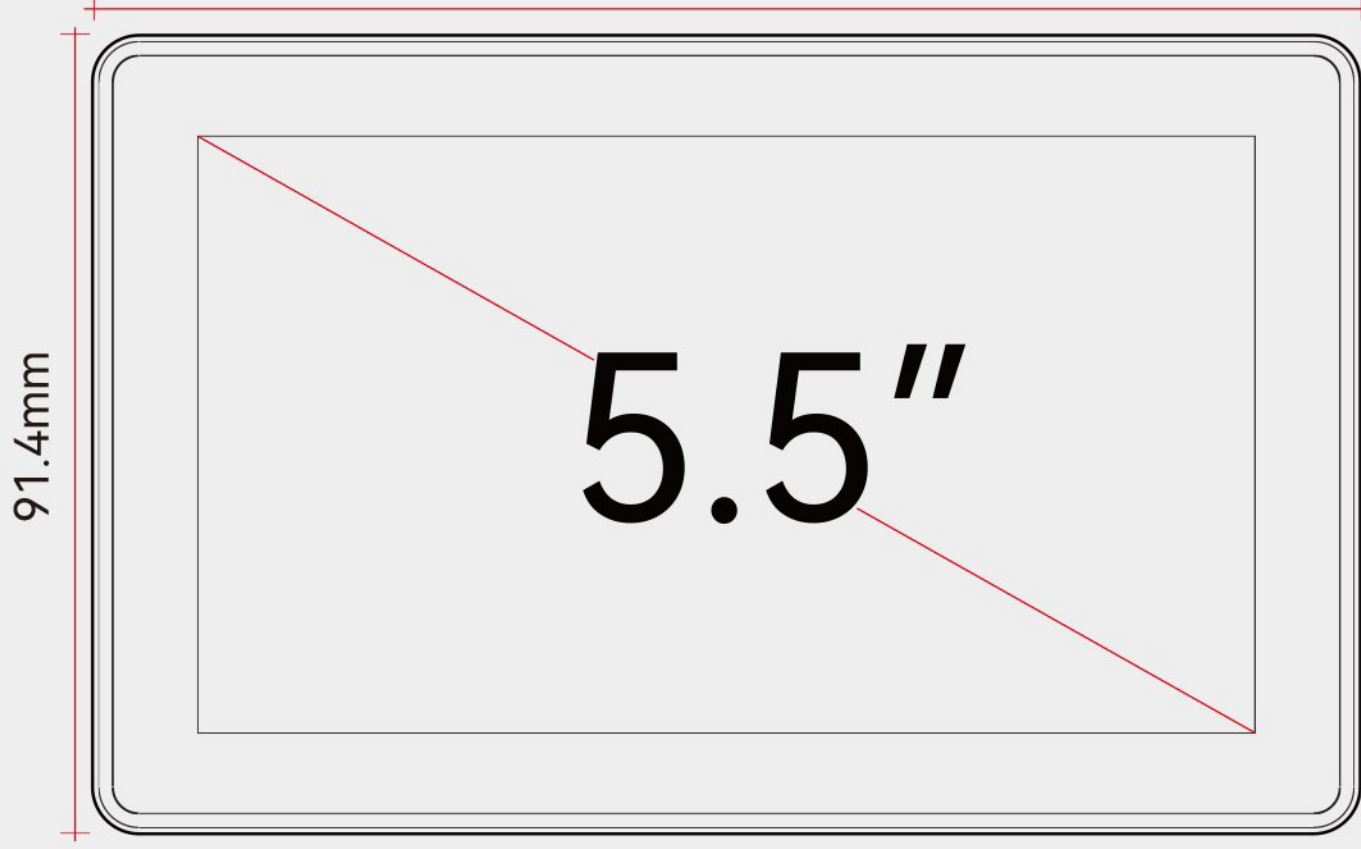
1920×1080psf@23.98Hz,24Hz,25Hz,29.97Hz,30Hz YUV444/YUV422

1920×1080i@50Hz,59.94Hz,60Hz YUV444/YUV422

1280×720p@50Hz,59.94Hz,60Hz YUV444/YUV422

## PRODUCT INFORMATION

145.4mm



39.6mm

