

# BROADCASTER

BROADCAST CONDENSER MICROPHONE

The RØDE Broadcaster is a large diaphragm, end-address condenser microphone designed to provide the ultimate performance for broadcast vocal applications. Its rich, full quality tailored response has an emphasised proximity effect that has made it a standard in radio stations the world over. It is equally suitable as a voice-over microphone for film and television.

The Broadcaster features an internal pop filter, designed to minimise plosives sounds that can overload the microphone capsule and distort the audio output. In addition to the Broadcaster's native 20Hz-20kHz response, a selectable high-pass filter at 75Hz is available which will prevent low-end noise such as air conditioners and traffic from being recorded.

- HF2 1" capsule with gold plated diaphragm
- On-Air indicator LED
- Ultra low noise
- Voice tailored low-cut feature
- Internal pop-filter to reduce plosives
- Rugged stainless steel body
- Designed and manufactured in Australia
- Full 10 year warranty



10 YEAR WARRANTY



1" GOLD-SPUTTERED CAPSULE



'ON AIR' LED INDICATOR



## ACOUSTIC & ELECTRICAL SPECIFICATIONS

Acoustic Principle:	Pressure gradient
Polar Pattern:	Cardioid- end addressr
Frequency Range:	20Hz - 20kHz
Signal to Noise Ratio (A-weighted):	80 dB
Equivalent Noise (A-weighted):	14 dB SPL
Maximum SPL:	128dB SPL (@ 1kHz, 1% THD into 1KΩ load)
Output Impedance:	100Ω
Power Requirement:	P48 (48V), P24 (24V) phantom supply
Sensitivity:	-34 dB re 1 Volt/Pascal (20 mV @ 94 dB SPL) +/- 2 dB @ 1kHz
Maximum Output:	+2dBu (@ 1kHz, 1% THD into 1KΩ load)
Dynamic Range (A-weighted):	>114dB SPL
Current Consumption:	5 mA (P48) 4.5mA (P24)

## MECHANICAL SPECIFICATIONS

Weight (grams):	577
Dimensions (millimetres):	Length: 167
	Width: 65
	Height: 50
Included Accessories:	1 x ZP1
	1 x RM2

## WHATS IN THE BOX



Broadcaster

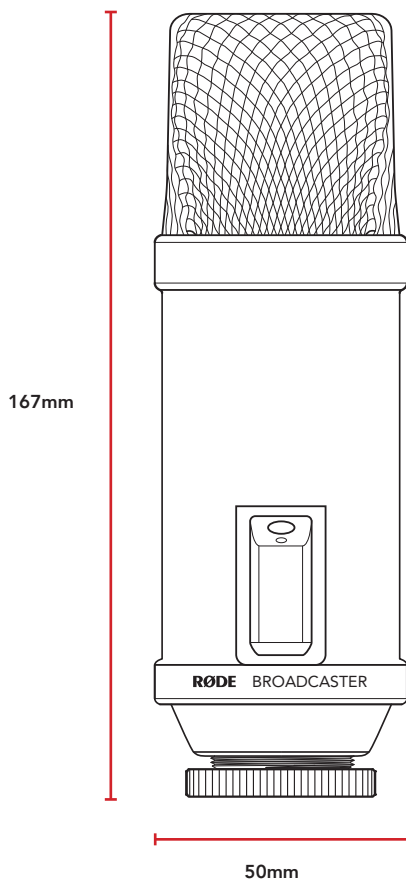


RM2

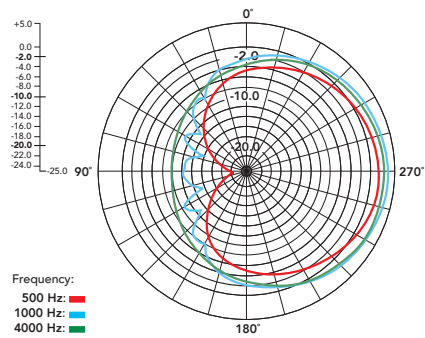


ZP1

## DIMENSIONS



## POLAR PATTERN



Frequency:  
 500 Hz: —  
 1000 Hz: —  
 4000 Hz: —

## FREQUENCY RESPONSE

