

# **CARTONI**

PROFESSIONAL CAMERA SUPPORT

# MASTER MK2 ✓

USER'S MANUAL & Maintenance





**CERTIFICATO N. 19714/09/S**  
**CERTIFICATE No.**

SI CERTIFICA CHE IL SISTEMA DI GESTIONE PER LA QUALITÀ DI  
 IT IS HEREBY CERTIFIED THAT THE QUALITY MANAGEMENT SYSTEM OF

**CARTONI S.P.A.**

VIA DI PORTONACCIO, 33/B 00159 ROMA (RM) ITALIA

NELLE SEGUENTI UNITÀ OPERATIVE / IN THE FOLLOWING OPERATIONAL UNITS

VIA DI PORTONACCIO, 33/B 00159 ROMA (RM) ITALIA

È CONFORME ALLA NORMA / IS IN COMPLIANCE WITH THE STANDARD  
**ISO 9001:2015**

PER I SEGUENTI CAMPI DI ATTIVITÀ / FOR THE FOLLOWING FIELD(S) OF ACTIVITIES

IAF:17  
 IAF:29

PROGETTAZIONE, FABBRICAZIONE ED ASSISTENZA POST- VENDITA DI PRODOTTI PER LA CINEMATOGRAFIA E  
 LA TELEVISIONE PROFESSIONALE. COMMERCIALIZZAZIONE DI PRODOTTI ED ACCESSORI IN CONCESSIONE  
 PER LA CINEMATOGRAFIA E LA TELEVISIONE PROFESSIONALE

DESIGN, MANUFACTURE AND POST-SALE ASSISTANCE OF PROFESSIONAL BROADCAST AND FILM EQUIPMENT.  
 MARKETING OF PROFESSIONAL BROADCAST AND FILM ACCESSORIES AND PRODUCTS AS LOCAL  
 AGENCY/REPRESENTATIVE

La validità del presente certificato è subordinata a sorveglianza periodica annuale / semestrale ed al riesame completo del sistema di gestione con periodicità triennale  
 The validity of this certificate is dependent on an annual / six monthly audit and on a complete review, every three years, of the management system  
 L'uso e la validità del presente certificato sono soggetti al rispetto del documento RINA, Regolamento per la Certificazione di Sistemi di Gestione per la Qualità  
 The use and validity of this certificate are subject to compliance with the RINA document / Rules for the certification of Quality Management Systems

Prima emissione First Issue	12.06.2009	Data decisione di rinnovo Renewal/decision date	24.05.2018
Data scadenza Expiry Date	02.06.2021	Data revisione Revision date	24.05.2018

Amicare Rini  
 Rome Management System  
 Certification, Head

**RINA Services S.p.A.**  
 Via Corsica 12 - 16128 Genova Italy



SGQ N° 002 A

Membro degli Accordi di Mutua  
 Riconoscimento EA, UK e ILAC  
 Signatory of EA, UK and ILAC  
 Mutual Recognition Agreements



IONet, the association of the world's first class  
 certification bodies, is the largest provider of management  
 System Certifications in the world.  
 IONet is composed of more than 30 bodies and counts  
 over 110 subsidiaries all over the globe.

Per informazioni sulla validità  
 del certificato, visitare il sito  
[www.rina.org](http://www.rina.org)

For information concerning  
 validity of the certificate, you  
 can visit the site  
[www.rina.org](http://www.rina.org)

Per i requisiti della norma non  
 applicabili al campo di applicazione  
 del sistema di gestione  
 dell'organizzazione, riferirsi alle  
 informazioni documentate relative.

Reference is to be made to the  
 relevant documented information  
 for the requirements of the  
 standard that cannot be applied to  
 the Organization's management  
 system scope



[www.cisq.com](http://www.cisq.com)

CISQ è la Federazione italiana di Organismi di  
 Certificazione dei sistemi di gestione aziendale  
 CISQ is the Italian Federation of  
 management system Certification Bodies

<b>1.</b>	INTRODUCTION	4
<b>2.</b>	OPERATING ELEMENTS	5
<b>3.</b>	PROCEDURES	8
<b>4.</b>	SPECIFICATIONS	9
<b>5.</b>	MAINTENANCE	10
<b>6.</b>	WARRANTY	10
<b>7.</b>	ACCESSORIES & PRODUCT LINE	11

# 1. INTRODUCTION

---

The compact and versatile **MASTER MK2** is a **CARTONI** Fluid Head designed for ENG & EFP, Broadcast and Digital Cinematography fully loaded Cameras with all of the trimmings.

The MK2 can counterbalance from small Cameras weighing 3 Kg (6.6 lbs) all the way to 30 Kg (66 lbs).

This new **CARTONI** counterbalance system is an evolution of the patented **CARTONI** “Wing” system and allows a perfect performance throughout the +/- 90 tilt range, with perfect stops at any angle.

The frictionless variable fluid modules perform a wide variety of fluid drag for the best smooth and precise movement in any shooting situation.

4

All operating knobs and levers are conveniently located and easy to reach with a special care for user-friendly ergonomics.

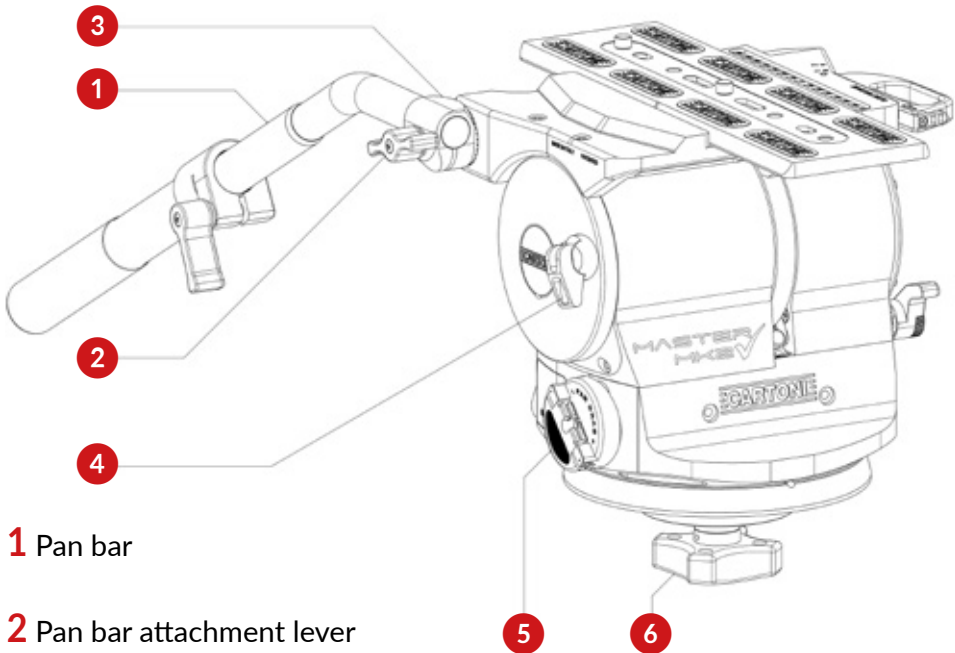
The **MASTER MK2** comes equipped with one telescopic pan bar, standard quick release sliding Camera plate, (Euro-Style plate optional) illuminated spirit level and digital readouts for drag and counterbalance settings.

The MK2 has a flat Mitchell standard base and an available 150mm bowl converter to make the MK2 suitable for all leg options and Dollies.

- ✓ Before using the **MASTER MK2** Fluid Head, please make sure to read this user's & maintenance manual;
- ✓ Before installing the fluid head on the Tripod check the Tripod stability;

- ✓ Verify that the Camera payload (including lenses and accessories) is lower than the maximum capacity of the MASTER MK2 Fluid Head;
- ✓ Before installing the Camera make sure that the MASTER MK2 is in good conditions and bares no evident damages.

## 2. OPERATING ELEMENTS



1 Pan bar

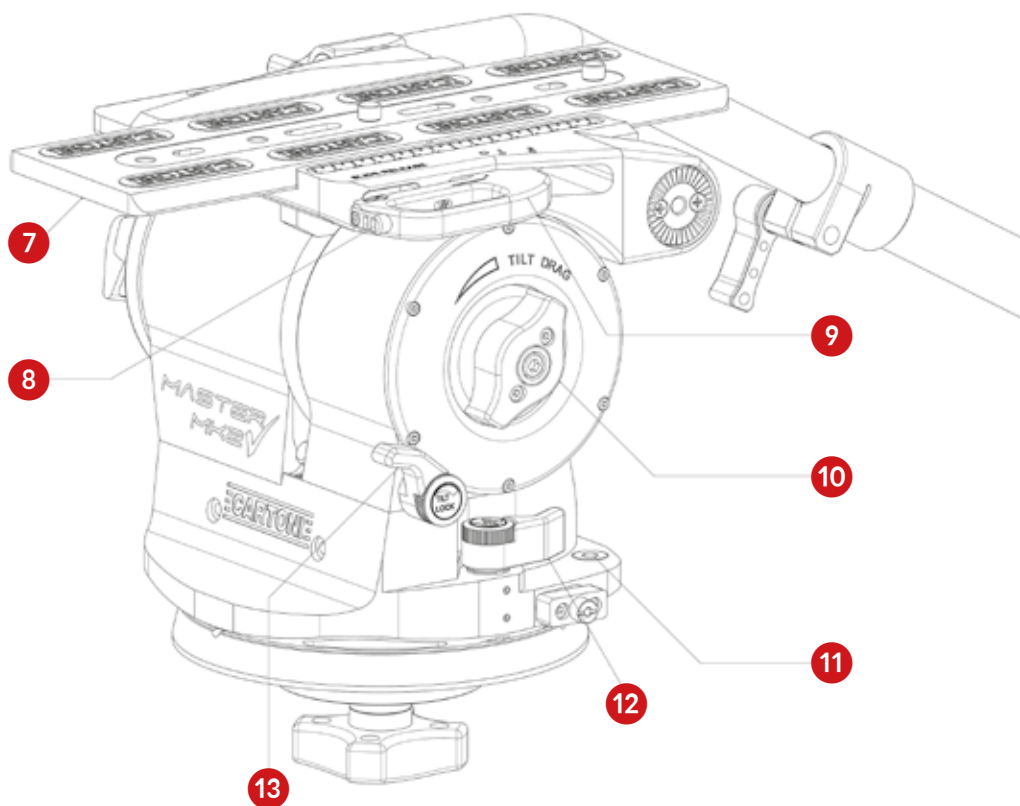
2 Pan bar attachment lever

3 Pan bar attachment rosette

4 Horizontal lock lever

5 Pan drag selector

6 Tie-down knob



**7** Camera plate

**8** Safety button slide lock lever

**9** Slide lock lever

**10** Tilt drag selector

**11** Illuminated bubble level

**12** Pan lock lever

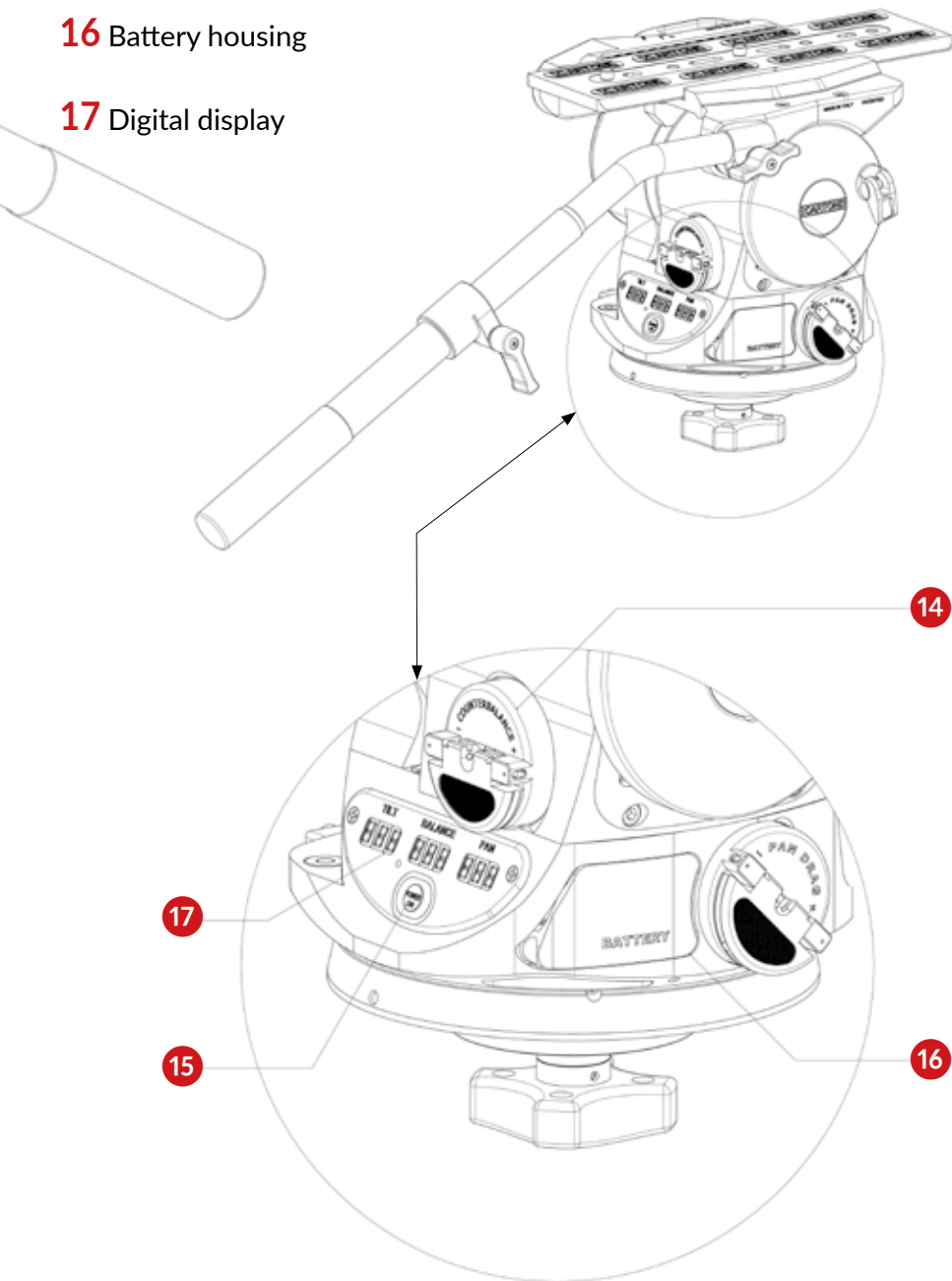
**13** Tilt lock lever

**14** Counterbalance selector

**15** Illuminated bubble level and display light button

**16** Battery housing

**17** Digital display



## 3. PROCEDURES

---

- ✓ Open the Tripod to the desired height and lock all safety knobs.
- ✓ Place the MASTER MK2 Fluid Head on the Tripod base and rotate until it matches the steel notch; tighten the Head firmly by screwing in the knob (6) underneath the flat base. Check the illuminated bubble level (11) and modify the legs angle if needed. In case of low visibility, press button (15) for illuminated bubble level and to activate the digital displays. Lights will turn off automatically after approximately 30 seconds.
- ✓ Lock the horizontal position with lever (4) red position, insert pan lock (12) and turn both tilt drag selector (10) and counterbalance selector (14) to position "0".
- ✓ To release the Camera plate (7) push the red safety button (8) and open the slide lock lever (9) completely till to position 2, then remove the Camera plate.
- ✓ Attach the Camera plate under the Camera assembly and firmly secure it with both screws. Try to place the Camera plate centered under the Camera system, keeping in mind the position of the center of gravity (CG).
- ✓ Place the Camera on the top of the MASTER MK2, leaning sideways against the left side of the Head (slide lock side), then push the assembly into horizontal position until you feel the click of the slide lock lever (9), which will be in position 1 (at this point the Camera plate is clamped but still moving fore-and-aft).



- ✓ Holding the pan bar (1) firmly, disengage lever (4) to green position and find the correct center of gravity (CG) by sliding the Camera assembly fore-and-aft. Lock the slide lock lever (9) in position “0”.
- ✓ Set the counterbalance system by turning the counterbalance selector (14) to the appropriate tension. The Camera has to stay still at any tilt angle. If needed, fine tune the balance by adjusting the sliding plate.
- ✓ Push button (15) to activate illuminated digital displays, unlock Pan lock (12) and select the desired Fluid drag intensity on both Pan and Tilt by turning Pan selector (5) and Tilt selector (10).

## 4. SPECIFICATIONS

Minimum payload	3 Kg	6.6 lbs
Maximum payload	30 Kg	66 lbs
Weight	8,5 Kg	18.7 lbs
Bowl diameter	Flat base	
Fluid control	Continuous	
Counterbalance	Continuous	
Pan range	360°	
Tilt range	+/- 90°	
Temperature range	-40/+60 °C	-40°/+140°F

## 5. MAINTENANCE

---

When needed, with indoor use just clean the Head and Tripod with a soft cloth. Dirt accumulated during storage may be removed using a brush or Air spray.

**CARTONI** products main mechanisms are sealed as they are also built for professional outdoor use.

However, use under rough conditions they will require special care. Salt water is very corrosive and can cause extreme damages. In attempt to avoid further damage the Fluid Head should be washed off with fresh water at the earliest opportunity and perfectly dried before storage.

Sand and dirt are abrasive and should be removed using a semi-stiff brush or Air spray.

Disconnect illuminated display & bubble level battery during long term storage; for battery replacement access the battery compartment (16).

## 6. WARRANTY

---

All **CARTONI** Fluid Heads & Pedestals have a free of charge three (3) year warranty. Register your product at [www.cartoni.com](http://www.cartoni.com) within 30 days from date of first purchase/invoice to receive further two (2) year warranty for the unsurpassed free five (5) year warranty.

Tripods, spreaders, dollies and all accessories are guaranteed one (1) year from the date of first purchase/invoice.

**CARTONI** warrant that the product supplied will - under proper use - be free from defects in workmanship and materials and agrees that it will,

at its option, either repair or replace any defective part within duration of warranty from date of first purchase with no labour charge.

This warranty does not apply to any **CARTONI** product that has been damaged in shipping or handling, abused, misused, operated contrary to instructions for use, neglected, normal wear or tear, modified or changed in design or construction or serviced by unauthorized parties.

Repairs or misuse by any unauthorized parties will void this warranty.

Warranty claims must be submitted – in writing - to the factory for verification or to an authorized distributor/dealer designated by **CARTONI**.

It is the end user's responsibility when ordering to ensure that the products ordered conform to his requirements.

All freight of product to **CARTONI** must be prepaid. All implied warranties are limited to the time period set forth herein & subject to change without notice.

No liability can be accepted for any variation.

## ***7. ACCESSORIES & PRODUCT LINE***

---

For the complete Accessories list & Product line please visit **CARTONI**'s official website **[www.cartoni.com](http://www.cartoni.com)**.

Every product has an updated list of compatible items sorted by groups, with descriptions and technical data.



**CARTONI S.p.A**  
Via di Portonaccio, 33/B - 00159 Rome (Italy)  
Phone +39 06 4382002  
Fax +39 06 43588293  
Email: [cartoni@cartoni.com](mailto:cartoni@cartoni.com)  
[www.cartoni.com](http://www.cartoni.com)