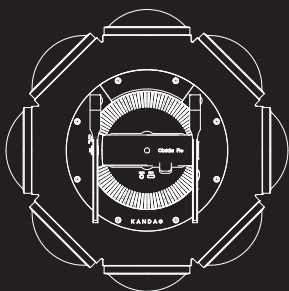
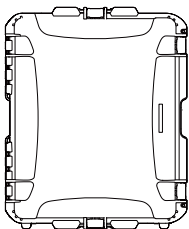


KANDA®
Obsidian Pro

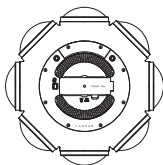


Quick Start Guide / 快速入门指南
クイックスタートガイド

What's Included



Obsidian Pro Luggage



Obsidian Pro



Antenna
*2



Lens
Cleaning
Cloth



Lens
Protective
Cover * 8



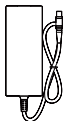
8-in-1
SSD
Module



Quick
Guide



Warranty
Card



Power
Adapter

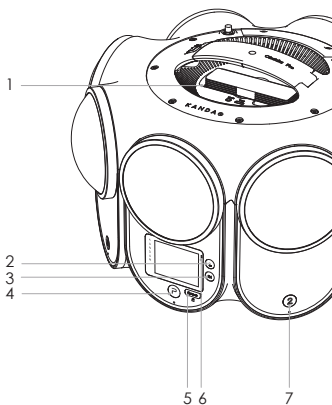


AC Cable



10Gb
Ethernet
Cable

Kandao Obsidian Pro



1. SSD Module Slot

2. Power Button

3. Fn Button

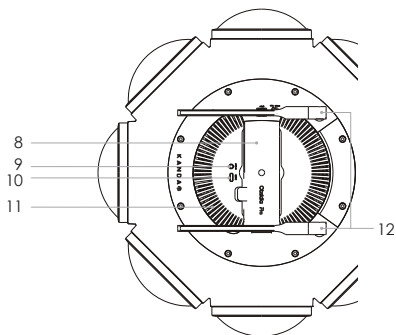
4. Shutter Button

5. Led Light

6. Micro SD Card Slot

7. Lens No.

Kandao Obsidian Pro

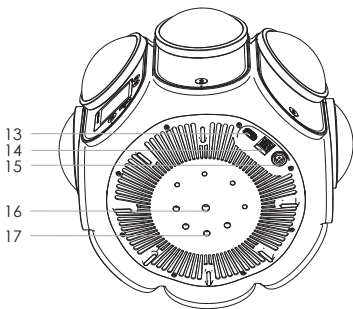


8. Camera Handle 9. 3.5mm Audio Jack

10. USB-C Port

11. Heat-Dissipating Vent

12. Antenna



13. HDMI Port

14. 10Gb Ethernet Port

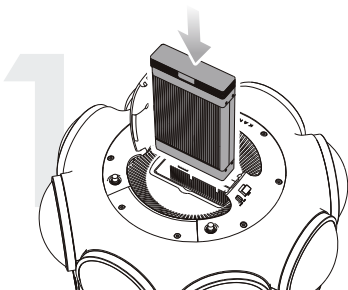
15. Power Input

16. 3/8 Screw Hole

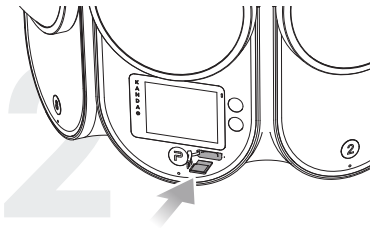
17. 1/4 Screw Hole

Get Ready to Start

1. Insert Obsidian Pro SSD Module

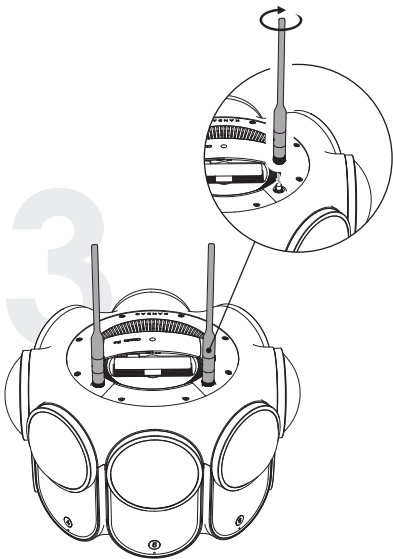


2. Insert Micro SD Card



Get Ready to Start

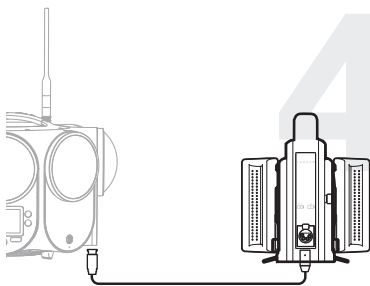
3. Install Antenna



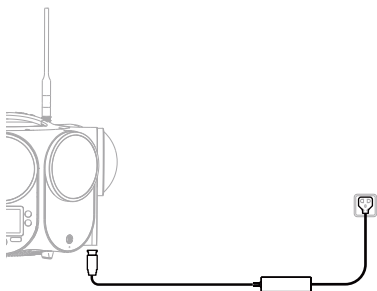
Get Ready to Start

4. Power Supply

Method 1: V-Mount Battery Power Supply

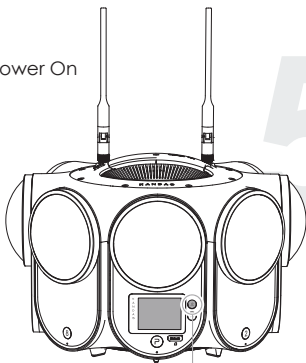


Method 2: Connect with AC/ DC Adapter



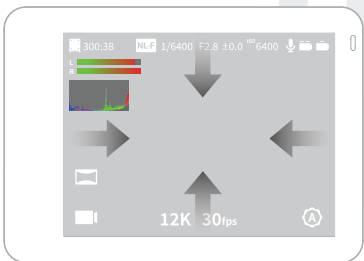
Get Ready to Start

5. Power On



Long Press
the Power
Button for 2s

6. Screen Operation



SSD



Preview Mode



Focus Mode



Shooting Mode



Micphone



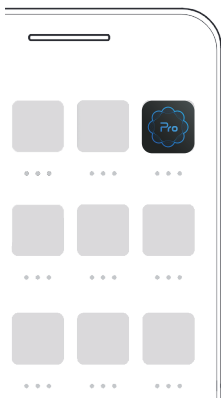
Lens Switch



Battery

下载App

Kandao Obsidian Pro



Scan QR Code

Get Obsidian Pro Manual



EN

Disclaimer

Statement

On/off of the LED light can be set up in the App or setting page on the camera menu.

1. Please read all these instructions.
2. Please beware of all these warnings.
3. Please follow all these instructions.
4. Never operate the device near heat sources such as radiators, heaters, stoves, or other heat-generating equipment.
5. Only use accessories and parts specified and provided by the manufacturer for Kandao Obsidian Pro.
6. All maintenance should be conducted by the qualified personnel. Repairs are required in case of any types of damage to the device, for example, power cord or plug damage, liquid or object falling into the device, or getting wet in the rain or dampness, or failure to work or falling.

Camera Security

Warning: If you fail to take the following precautions, you may be seriously injured or killed by the electric shock or fire disaster, or your Kandao Obsidian Pro may be damaged. Please check before using the camera and accessories to make sure they are intact. For security, only Kandao Obsidian Pro accessories that are provided with the device or genuine ones purchased can be used. Using any other parts, accessories, or chargers not recommended by Kandao may result in fire, electric shock, or casualties. Damage caused by the use of unauthorized accessories or parts is not covered by the warranty. To learn about approved accessories, please visit the Kandao website: www.kandaoavr.com

1. Never touch the plug or charger with wet hands while the camera is being charged. If you do not follow this warning message, an electric shock may

short-circuit damage to the camera.

Protection from Dust- The camera should be used and stored in a clean environment. The lens is easy to scratch in a windy and dusty environment, so the camera needed to be well-protected when outdoor shooting. Do not use alcohol or any volatile liquid to clean the lens but use a special lens pen or lens cloth.

9. Warning:

Do not place the camera close to magnets, motors, or other devices that generate strong electromagnetic fields. Exposure to a strong magnetic field may cause the camera to malfunction or damage the image data. Do not hit or rub the lens. There is no protection for the eight lenses of Kandao Obsidian Pro, which may be easily scratched. It is recommended to always store the camera in the attached lens protective cover and avoid placing the lens on any surface. The lens scratch is not covered by the warranty.

Do not use the camera beyond the normal power supply range. Do not disassemble or repair the camera without authorization. Do not put objects inside the camera. Prevent water from entering the camera. The metal contacts of the SSD module is easily getting dirt or being scratched, so should be stored in its packaging box or camera. The SSD module that store images should be protected from magnetism and high temperature, and stored in a dry environment.

occur.

2. Do not place or fix this product onto an unstable surface. Failure to observe this precaution can result in the product loosening or falling off, thus causing an accident or damaging the camera.

3. If you use an external power connection, please follow all safety guidelines for third-party powered devices.

4. The lens of Kandao Obsidian Pro is made of glass. If the lens is damaged, please be careful to avoid scratching by broken glass. Keep it away from children.

5. The temperature of the camera will rise during operation, which is a normal phenomenon. Please keep the running camera away from children or any other temperature-sensitive objects, so as to avoid injury. If you think the temperature is too high, turn off the camera and let it cool down before using it.

6. This product is not a toy and you are solely responsible for complying with all local laws, regulations and restrictions.

7. Do not use Kandao Obsidian Pro for unauthorized monitoring, secret photography, or in any other way that violates personal privacy laws. Under normal circumstances, it is strictly forbidden to use the camera for such purposes, otherwise, the operator may have to assume major responsibilities and suffer from criminal lawsuits.

8. Cautions:

Protection from Cold- Camera from a low to a high temperature, there will be condensation. Newspapers or plastic bag are needed to wrap the camera. Please use the camera after its temperature rises to ambient temperature.

EN Protection from Snow- Wind and snow can easily scratch the camera lens. Turn off the power and unplug the battery to prevent the melting of snow from penetrating into the camera and causing

K A N D A O 

www.kandaovr.com

Product Name: Kandao Obsidian Pro

Model: MT0822

Manufacturer: KanDao Technology Co.,Ltd.

Address: 201 Sino-Steel building, Maqueling Industrial District,
Maling Area, Yuehai Street, Nanshan, Shenzhen

产品名称: Kandao Obsidian Pro

型号: MT0822

制造商: 深圳看到科技有限公司

地址: 深圳市南山区粤海街道麻岭社区麻雀岭工业区中钢大厦201