

SmartView 4K G3



£1,039

SmartView 4K G3 is the first Ultra HD broadcast monitor with both 12G-SDI and SMPTE-2110 IP video inputs. SmartView 4K G3 connects directly to IP based broadcast systems as well as a range of 12G-SDI professional video equipment up to 2160p60, making it perfect for broadcast and live production. It includes AC and 12V DC power connections, 3D LUTs and monitoring controls such as focus peaking, H/V delay, blue only and framing guides.

Connections

SDI Inputs

2

SDI Outputs

1 loop out.

Reclocked video output that automatically switches to input selection.

SDI Rates

270Mb, 1.5G, 3G, 6G, 12G.

Optical Video Input

SFP Optical Fiber connector cage. Supports 2110 IP video and optical SDI.

Multi Rate Support

Auto detection of 4K, Ultra HD, 2K, HD or SD inputs.

Updates and Configuration

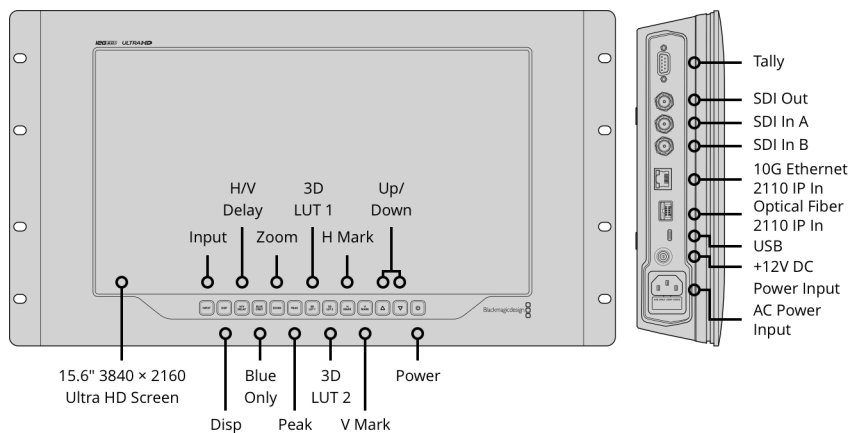
USB

Ethernet

1 x 10Gb/s RJ-45 connector supporting 10/100/1000/10G BASE-T for SMPTE-2110 IP video in, configuration and firmware updates.

Tally

9-pin D connector



Standards

SD Format Support

525i59.94 NTSC, 625i50 PAL

HD Format Support

720p50, 720p59.94, 720p60
1080i50, 1080i59.94, 1080i60
1080p23.98, 1080p24, 1080p25,
1080p29.97, 1080p30, 1080p47.95,
1080p48, 1080p50, 1080p59.94,
1080p60
1080PsF23.98, 1080PsF24,
1080PsF25, 1080PsF29.97, 1080PsF30

2K Format Support

2Kp23.98 DCI, 2Kp24 DCI, 2Kp25 DCI,
2Kp29.97 DCI, 2Kp30 DCI, 2Kp47.95
DCI, 2Kp48 DCI, 2Kp50 DCI, 2Kp59.94
DCI, 2Kp60 DCI
2KPsF23.98, 2KPsF24, 2KPsF25,
2KPsF29.97, 2KPsF30

Ultra HD Format Support

2160p23.98, 2160p24, 2160p25,
2160p29.97, 2160p30, 2160p47.95,
2160p48, 2160p50,
2160p59.94, 2160p60

4K Format Support

4Kp23.98 DCI, 4Kp24 DCI, 4Kp25 DCI,
4Kp29.97 DCI, 4Kp30 DCI, 4Kp47.95
DCI, 4Kp48 DCI, 4Kp50 DCI, 4Kp59.94
DCI, 4Kp60 DCI

SDI Compliance

SMPTE 259M, SMPTE 292M, SMPTE
296M, SMPTE 372M, SMPTE 424M
Level A and B, SMPTE 425M, SMPTE
2082.

SDI Color Space

REC 601, REC 709

SDI Auto Switching

Automatically selects between SD,
HD, 3G, 6G and 12G-SDI.

Video Sampling

4:2:2 and 4:4:4

IP Video Compliance

SMPTE 2110-20

(Uncompressed Video)

IGMP v2

SMPTE 2110-21 (Traffic Shaping)

Sender: Narrow

Receiver: Narrow, Wide Synchronous,
Asynchronous

SMPTE 2110-30 (PCM)

Audio Conformance level: Level C

SMPTE 2110-40 (Ancillary Data)

Full access to entire SMPTE ancillary
data stream. Includes RP 188/SMPTE
12M-2, closed captioning and HDR
static metadata.

Precision Time Protocol

IEEE 1588-2008 (PTP v2)
ST 2059-1
ST 2059-2

NMOS IS-04 Discovery and

Registration

v1.3.2
Peer-to-peer via mDNS/DNS-SD

NMOS IS-05 Connection

Management

v1.1.2

NMOS BCP-002-01

Natural Grouping

NMOS BCP-004-01

Receiver capabilities

Codec

Blackmagic IP10 codec used when
converting 12G-SDI rates to 10G 2110
IP video.

Software

Internal Software Upgrade

Via included firmware
updater software.

Settings Control

Via USB or Ethernet.

Operating Systems



Mac 12.0 Monterey,
Mac 13.0 Ventura or later.



Windows 10, 64-bit.
Windows 11.

Display

Display Element

15.6" TFT Active Matrix LCD

Response

25 ms

Color Depth

16.7 million colors

Display Resolution

3840 x 2160 pixels

Contrast Ratio

1000:1

Power Requirements

Power Supply

1 x Internal 100 - 240V AC 50/60Hz.

Power Inputs

1 x IEC C14 socket for AC power.
1 x 5.5mm barrel +12V DC In for
external power supply or battery use.

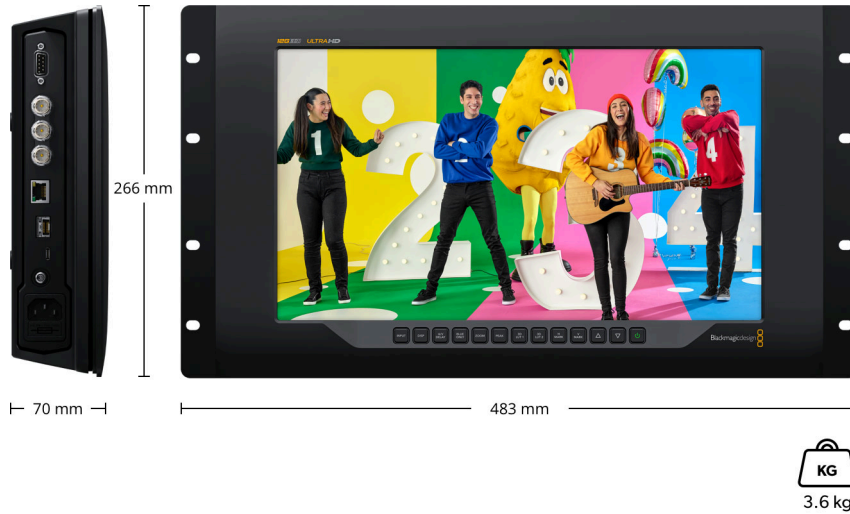
Power Consumption

24 W

Physical Installation

6 rack units.

Physical Specifications



Environmental Specifications

Operating Temperature

0° to 40° C (32° to 104° F)

Storage Temperature

-20° to 60° C (-4° to 140° F)

Relative Humidity

0% to 90% non-condensing

What's Included

SmartView 4K G3

Welcome wallet with QR code for software download

Warranty

12 Months Limited Manufacturer's Warranty.

All items on this website are copyright Blackmagic Design Pty. Ltd. 2024, all rights reserved.
All trademarks are property of their respective owners. MSRP excludes VAT and local shipping costs.
This website uses remarketing services to advertise on third party websites to previous visitors to our site.
You can opt out at any time by changing cookie settings. [Privacy Policy](#)

Blackmagic Design Authorized Reseller