



# Spotlight Max 36° Lens Data Sheet

## Main Features

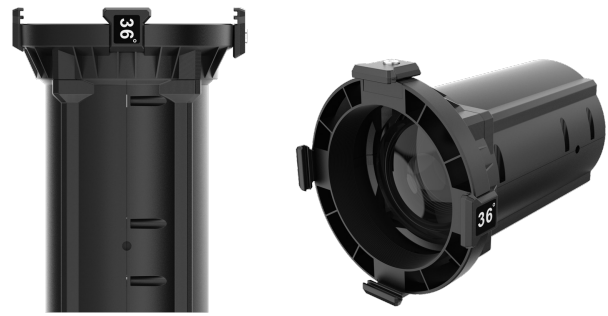
- 36° Medium-Angle Projector Lens for Spotlight Max
- Optimized for High-Powered LED Fixtures
- Custom Precision Optics With Minimal Chromatic Aberration and Color Shift
- Efficient Light-Blending Optical Design for Compatibility with Full-Color Fixtures
- Telecentric Element Groups for Even Edge-to-Edge Light Distribution and Minimal Distortion of Illumination Circle
- Durable All-Metal Build
- Included Protective Soft Case

## Spotlight Max 36° Specifications

Dimensions	20.5 x 19.9 x 26.6cm 8.1 x 7.8 x 10.5in
Weight	3.67kg / 8.09lbs

## Spotlight Max 36° Photometrics

Fixture	Dis.	5600K	3200K
LS 600d Pro	3m	8,200 lux 762 fc	-
	5m	2,952 lux 274 fc	-
	7m	1,506 lux 140 fc	-
LS 600x Pro	3m	5,967 lux 554 fc	4,333 lux 403 fc
	5m	2,148 lux 200 fc	1,560 lux 145 fc
	7m	1,096 lux 102 fc	796 lux 74 fc
LS 600c Pro	3m	2,859 lux 266 fc	2,322 lux 216 fc
	5m	1,029 lux 96 fc	836 lux 78 fc
	7m	525 lux 49 fc	427 lux 40 fc
LS 1200d Pro	3m	4,233 lux 393 fc	-
	5m	1,524 lux 142 fc	-
	7m	778 lux 72 fc	-



## Product Description

The Spotlight Max 36° Lens is a medium-angle projection spotlight lens designed to be used with the Spotlight Max.

With custom precision optics, the Spotlight Max 36° Lens efficiently concentrates and blends light into a single clean beam while maintaining its light source's color accuracy and mitigating chromatic aberration. In addition, the 36° Lens intensifies its light engine's output and increases the throw of the fixture, allowing subjects to be illuminated from far distances.

The use of telecentric optical elements in the 36° Lens and the Spotlight Max ensures that the difference of the output field angle and beam angle are minimized, resulting in an illumination circle with even edge-to-edge light distribution without hotspots.

The Spotlight Max 36° Lens comes in a protective soft carrying case, making transportation and storage a breeze.

## Target Audience

The Spotlight Max 36° Lens is a powerful projection lens ideal for Spotlight Max users and owners looking to achieve a medium-angle, intense beam of light with a long throw using high-output Bowens mount fixtures.

Users who require highly color-accurate light projections and evenly-lit illumination circles will appreciate the custom precision optics in the Spotlight Max 36° Lens that maintains the color accuracy of its light source as well as minimizes chromatic aberration.

The Spotlight Max 36° Lens offers stellar optical performance and a practical projection beam angle with excellent throw, making it a crucial addition to Spotlight Max users' kits.

## What's in the Box

Name	Qty
Spotlight Max 36° Lens	1
Carrying Case	1

## Sales & Shipping Information

Product Name	Spotlight Max 36° Lens
SKU	APXF043A34
UPC	6971842186754
Packing Dimensions	25.2 x 25.2 x 34.2cm 9.9 x 9.9 x 13.4in
Net Weight	3.67kg / 8.09lbs
Gross Weight	5.11kg / 11.27lbs
Carton Quantity	2 pcs
Carton Dimensions	53.5 x 27.5 x 36.5cm 21.1 x 10.8 x 14.4in
Carton Weight	11.00kg / 24.3lbs