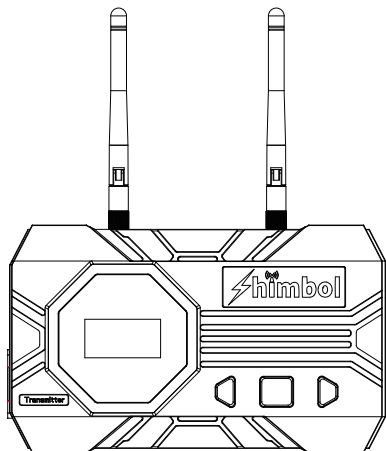




Wireless Video Transmission System ZOLink series

Item Model: ZO1000



Manual

Shenzhen ZO Video Technology Co., Ltd.

01/Features



Transmit Range



UVC Live Streaming



Ultra Low Latency



Ultra-Low-Power



Multiple Monitoring

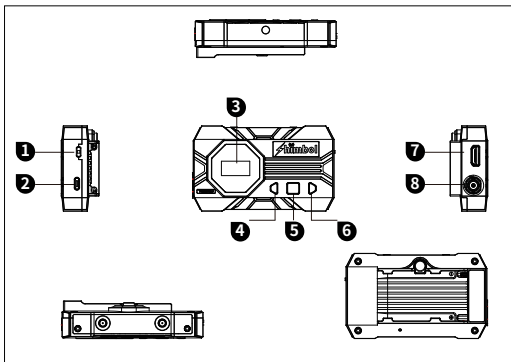


Multiple Power Supply

02/Packing List

- 1 Transmitter*1
- 2 Receiver*1
- 3 Antenna*5
- 4 Type-c power cable*1
- 5 User Manual*1

03/Product Interfaces



- | | |
|--|--------------------------------------|
| 1 Power switch | 5 Menu Button |
| 2 USB Type-c Port (Power & UVC Live streaming (RX)) | 6 Right Button |
| 3 OLED Screen | 7 HDMI Input(TX)/ Output(RX) |
| 4 Left Button | 8 SDI Input(TX)/ Output(RX) |

04/Typical Setup



1 TX to 1 RX Mode



1 TX to 2 RX Mode

■ 1 TX to 1 RX Mode

After the transmitter is paired with one single receiver, an additional mobile device can be connected;

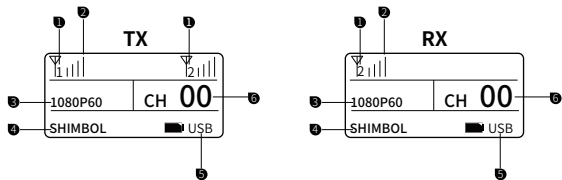
■ 1 TX to 2 RX Mode

The transmitter can be paired with two receivers. After the pairing is completed, an additional mobile device can be connected. NOTE: Only after one receiver is successfully paired with the transmitter, the other receiver can be paired;

■ Full Compatible with Shimbol Brand

ZO1000 can be paired with all "Shimbol" brand transmission systems and monitors;

05/OLED Display



① Device Connection Number

② Signal Strength

③ Video Format

④ Brand

⑤ Power Supply Method

⑥ Frequency Channel

① Device Connection Number

② Signal Strength

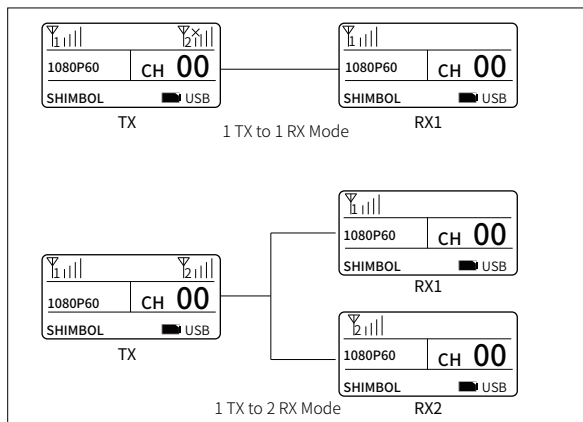
③ Video Format

④ Brand

⑤ Power Supply Method

⑥ Frequency Channel

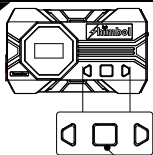
06/Product Status



■ Notice

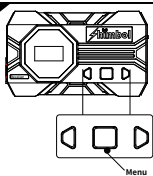
1. When the receiver is not connected, the frequency channel will not be displayed;
2. After the receiver is booted, the frequency channel will not be displayed until the transmitter is connected;
3. If it is used in connection with Shimbol brand series video transmission system that does not support the one TX to two RX mode, it is recommended to use the ZO1000 Receiver "Device connection number" adjusted to ZO500/ZO600S. The adjusting method is as follows:
Long press the receiver "Menu Button"3s to enter System Setting-Number-ZO500/ZO600 to adjust. Otherwise, there will be a problem of sound but no picture;
4. In one TX to two RX pairing mode, it is recommended to select two different receiver numbers to prevent IP conflicts. If both receivers select the same number (RX1 or RX2 at the same time), you need to manually change the number on the receiver to display the corresponding RX1 and RX2.(The number refers to the device connection number);

07/Operation Guide



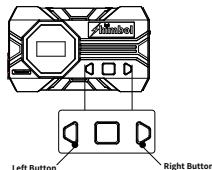
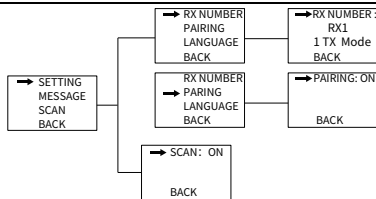
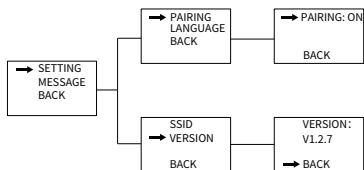
Transmitter

1. Long press the "Menu Button" for 3 seconds to enter the first-level menu interface, including SETTING and MESSAGE;
2. Select "SETTING", click the "Menu Button" to confirm, then you can select "PAIRING", "LANGUAGE". Select "PAIRING-ON", click the "Menu Button" to pair with the receiver (need to do at the same time with the receiver). Select "LANGUAGE" to switch (Chines /English);



Receiver

1. Long press the "Menu Button" for 3 seconds to enter the first-level menu interface, including SETTING and MESSAGE;
2. Select "SETTING", click the "Menu Button" to confirm, then you can select "RX NUMBER", "PARING" or "LANGUAGE". Select the "RX NUMBER" and click the "Menu Button" to switch the receiver connection device number. Choose "PAIRING - ON" Click the "Menu Button" to pair with the transmitter (need to do at the same time with the transmitter). Select "LANGUAGE" to switch (Chinese/English);
3. Select "SCAN—ON", click the "Menu Button" to confirm, then the environmental frequency scan can be performed;



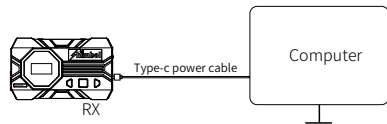
Upgrade

1. Copy the upgrade file into the root directory of the U disk;
2. Plug the U disk into the OTG cable (you need to bring your own) and connect it to the USB Type-C upgrade port of the transmitter;
3. Long press the "left button" to enter the upgrade interface;
4. After the upgrade is completed, the OLED screen will indicate "Upgrade Successful", and the device needs to be restarted manually;

APP Monitoring

App download method: Open Apple app store and search "Shimbol" to download the app

1. Method 1: Long press the "Right Button" for 3 seconds to display the QR code on the HDMI connected monitoring device, and use the APP into the main interface to scan the QR code and monitor the screen;
2. Method 2: Enter the device SSID number and password, connect the device manually and monitor the screen;



UVC Live Streaming

Connected to the computer through the uvc interface on the ZO1000 receiver, the received video signal can be transmitted to Third-party streaming platforms on your computer for live streaming. For example: OBS can be directly identified. ZO1000's new UVC function, which can replace the capture card equipment required for traditional media live streaming and substantially simplify your live streaming process;

08/Parameters



	Transmitter	Receiver
Interfaces	HDMI input/SDI input	HDMI output/SDI output/TYPE-C output (UVC)
Power Supply Way	5V-2A DC/NP-F Battery	
Power Consumption	<4W	<4W
HDMI Input Format	720P@50/60Hz 1080I@50/60Hz 1080P@24/25/30/50/60Hz	/
HDMI Output Format	/	720P@50/60Hz 1080I@50/60Hz 1080P@24/25/30/50/60Hz
SDI Input Format	720P@50/60Hz 1080I@50/59.94/60Hz 1080P@23.98/24/25/29.97/30 50/59.94/60Hz 1080PSF23.98/24/25/29.97/30Hz	/
SDI Output Format	/	720P@50/60Hz 1080I@50/60Hz 1080P@24/25/30/50/60Hz
TYPE-C Output(UVC)	/	1080P@24/25/30/50/60Hz
Audio Sample Rate	48KHz	
Weight	168g	168g
Size	110*66.5*29.5mm	110*66.5*29.5mm
Frequency	5.1G-5.8G	5.1G-5.8G
Transmission Power	17dBm	/
Latency	Typical 80ms, interference environment 120ms	
Receiving Sensitivity	-80dBm	
Distance	1 TX to 1 RX 300m (LOS)	
	1 TX to 2 RX 100m (LOS)	



W52 Band :5GHz product for indoor use only

Tel:+86 0755-21004986

URL:www.zeroone-video.com

Address:2C, 2nd Floor, Building 6, Longbi Industrial Park
No.27 Dafa Road, Bantian Street, Longgang District, Shenzhen
Shenzhen ZO Video Technology Co., Ltd.