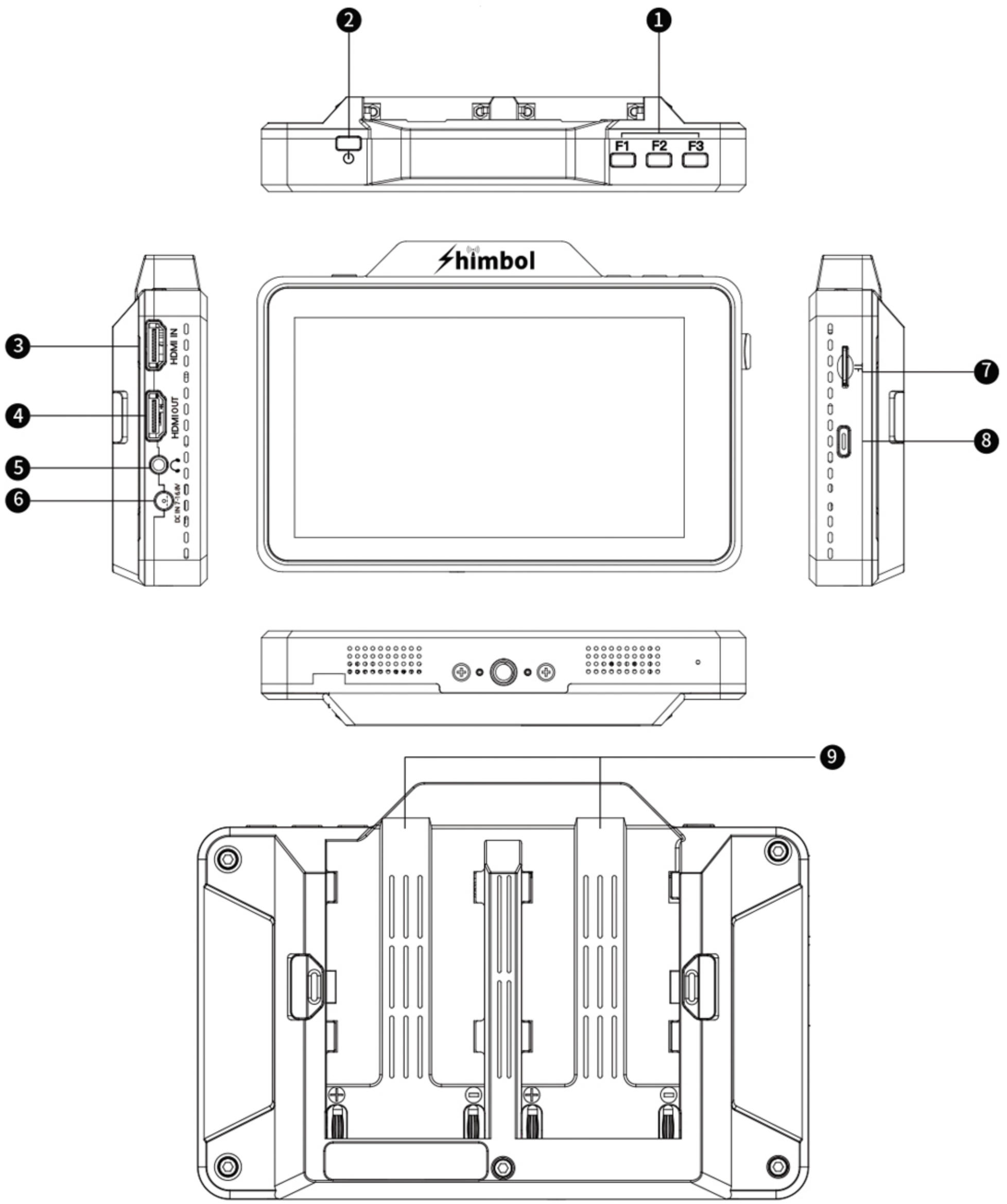


ZO600M - Specifications

Buttons And Ports



- ① Function Key
- ② Power Button
- ③ HDMI IN
- ④ HDMI Output
- ⑤ 3.5mm Headphone Jack
- ⑥ DC IN
- ⑦ TF Card Slot
- ⑧ Debug Port
- ⑨ NP-F Battery Slot

Technical Parameters

Model No.:	ZO600M
Interface:	DC In , DC Out, HDMI input, HDMI Output, 3.5mm Headphone out, TF card slot, Type C ,
Power Supply Method	NP-F / DC
Power Supply Voltage Input Range	7V-16.8V
DC Output Max Power	7.4V / 0.8A
Screen Resolution	1920*1080
Brightness	1000cd/m ²
Contrast Ratio	1200:1
Display Screen	5.5"TP
Video Input Format	1920*1080p60/59.94/50/30/29.97/25/24/23.98 1920*1080i60/59.94/50 1280*720p60/59.94/50
Video Recording Format	MP4(a single file cann't exceed 4G) ^①
LUT Format	cube (17*17*17 / 33*33*33) ^②
Teleprompter File Format	txt ^③
Firmware Updates	TF card updates
Audio Frequency	48kHz
Product weight	300g
Dimensions	151*103*29.5mm
Transmission Frequency Band	5.1G-5.8G
Transmission Power	17dBm
Latency	80ms ^④
Receiving Sensitivity	-80dBm
Transmit Range	500FT