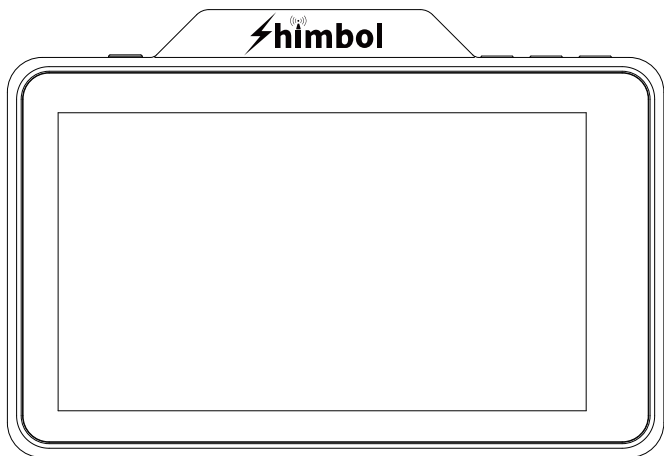




Wireless Monitor · ZOlink series

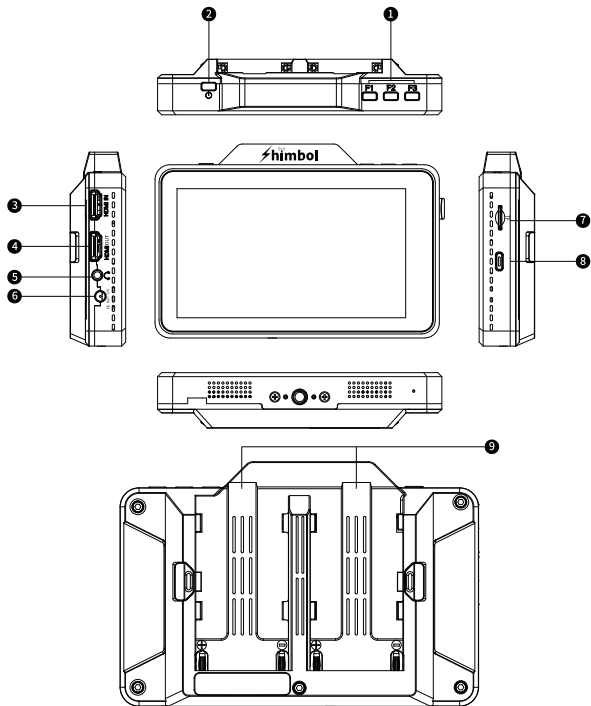
Item Model: ZO600M



Instruction Manual

Shenzhen ZO Video Technology Co., Ltd.

Monitor Interfaces & Buttons



- ① Function Key
- ② Power Button
- ③ HDMI IN
- ④ HDMI Output
- ⑤ 3.5mm Headphone Jack
- ⑥ DC IN
- ⑦ TF Card Slot
- ⑧ Debug Port
- ⑨ NP-F Battery Slot

Monitors Assist Icons



Input source menu



Input

video input source selection



Wireless

wireless connection status



Channel

wireless channel selection



Scope menu



Waveform

shows the levels of brightness from an input source



RGB-Paral

monitor the level of red, green and blue from an input source



Histogram

this is useful for checking if an image is under or over saturated.



Vector

visualize the dynamic range of your image



Marker menu



Marker

mark through your chosen aspect ratio



Safe area

action area and title safe areas displayed



Anamorphic

allows you to see a correctly squeezed image when using anamorphic lenses



Center marker

mark image center



Focus menu



Peaking

ensure your recordings are always in focus



Zoom

zoom in image

Monitors Assist Icons



Exposure menu



Zebra

use zebra to check exposure and set exposure levels



False color

a visualization of exposure across the image



Monochrome

monochrome display mode



Color menu



3D-LUT

3D-LUT loading & updating



Gamma

gamma setting



HDR

HDR monitoring



Color temperature

color temperature setting



Recording and playback menu



Recording

video recording



Playback

video playback



Teleprompter menu

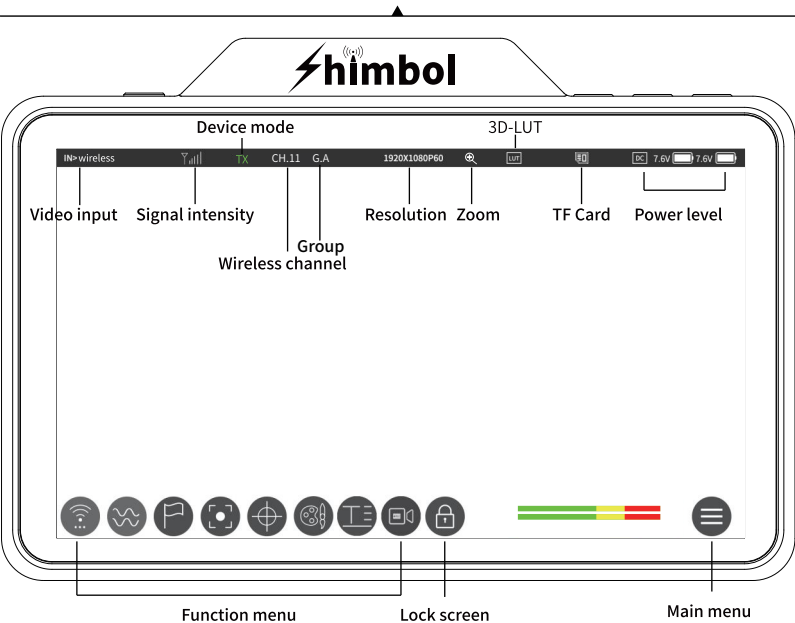


Lock screen



Main menu

User Interface

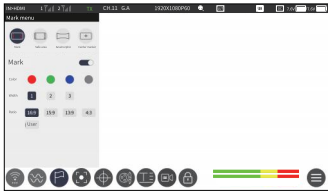


Input source menu



Scope menu

User Interface



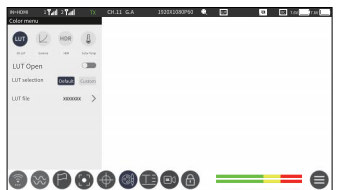
Marker menu



Focus menu



Exposure menu



Color menu



Teleprompter menu

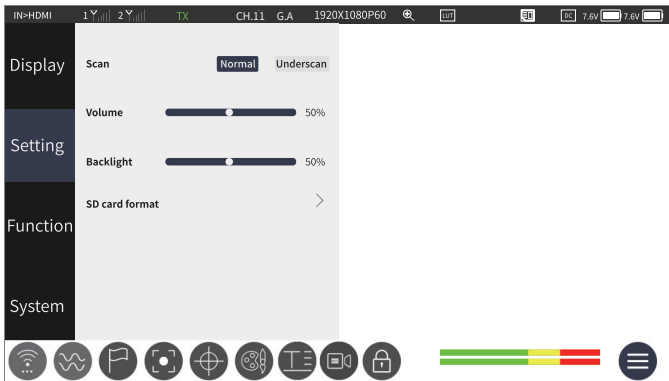


Recording and playback menu

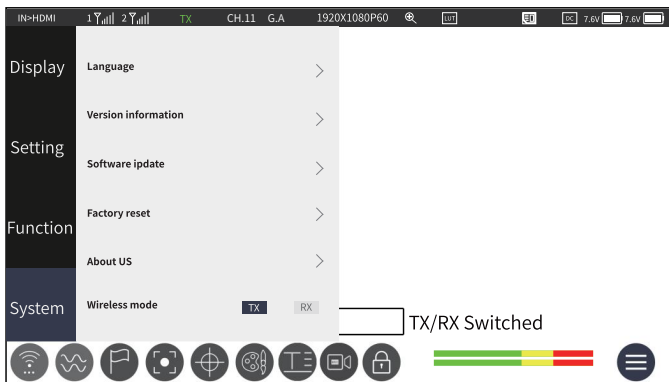
Operation Guide

1.Short press the power button to power on, long press for 3 seconds to power off.

2.Here is for SD card format.

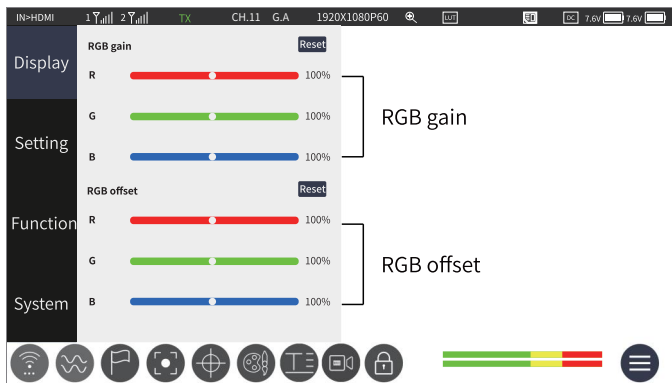


3.ZO600M Monitor , it can be switched between TX and RX mode.



Operation Guide

4. Here is for RGB gain and bias control.



5. Here are several connection ways for ZO600M.

One ZO600M unit under TX mode connects two ZO600M units under RX mode to work simultaneously.

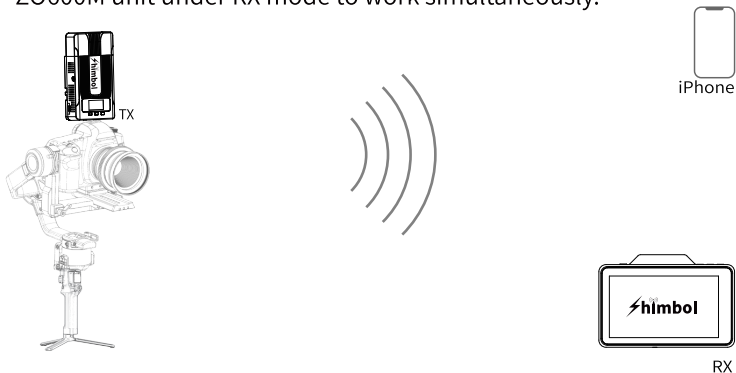


Operation Guide

One ZO600M unit under TX mode connects one ZO600M unit under RX mode and the RX unit of another model of Shimbol brand to work simultaneously.

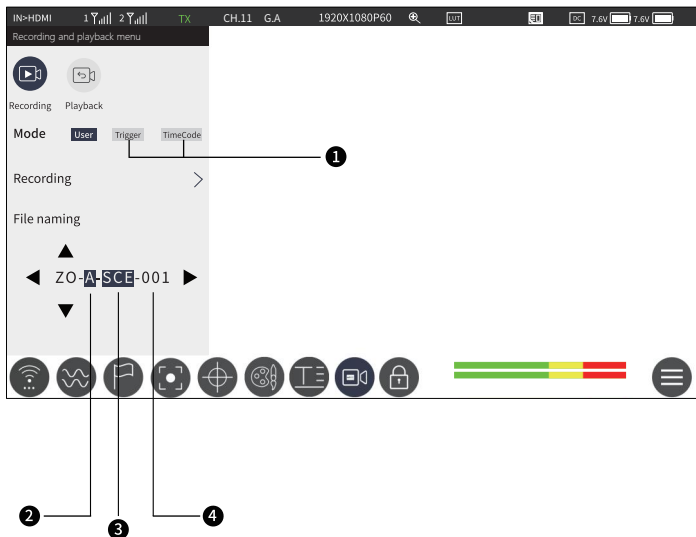


The TX unit of another model with Shimbol brand connects one ZO600M unit under RX mode to work simultaneously.



Operation Guide

6.ZO600M Recording and playback menu



- 1 Trigger and TimeCode are for camera simultaneous record.
- 2 Here is for camera position , click up and down for adjustment.
- 3 Here is for shooting site , click up and down for adjustment.
- 4 Here is for video serial number, it is not adjustable and the digital number increases with the number of shootings.

Support

1. Exceptions in connection

a: In case of abnormal connection, please make sure that TX/RX are in the same group.

b: If the TX/RX group settings are the same and a connection cannot be established for a long time, please try changing the frequency point.

c: If the connection still cannot be established by changing the frequency point, please reboot the device.

2.Function

a. 'Zoom in', 'Anamorphosis', 'Waveform', they could only be enabled one at a time. For example when turn on 'Zoom in' , the previously enabled Anamorphosis or Waveform function will be forced to turn off.

b. If freezes when wireless mode TX and RX switch each other, please kindly power off first and turn on the units to switch wireless mode again.

c. Under the Teleprompter function, when the 'master' mode device is transmitting files to the 'slave' mode device, and these files could not be cashed to the ' slave' mode device after turn on/off either of the two devices.

Support

3.TF card

- a. If your TF card could not be detected or frozen interface happen, please kindly reset your ZO600M.
- b. It should be FAT32 format for TF card of ZO600M, which is different with camera using generally, and could not mix them.
- c. If bought a new TF card , suggested its capacity is 64G or 128G, and it should format this new card first by 'SD card format' function of ZO600.

4.Record and Playback

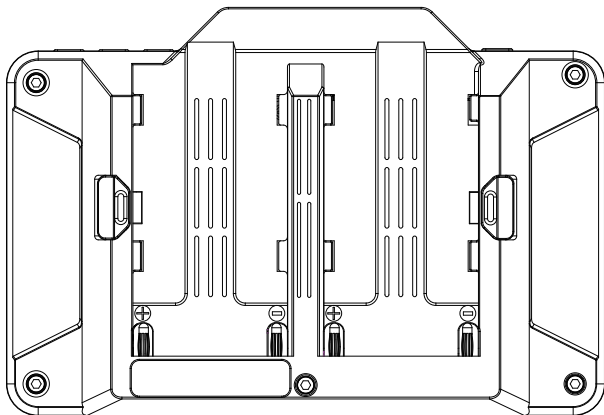
- a. It should have HDMI simultaneous record function on your camera and enable it to on.
- b. If switch to record interface directly after enabled 'TimeCode' , please kindly plug out HDMI cable and switch 'TimeCode' to 'User / Trigger' , it will come back to work.

Technical Parameters

Model No.:	ZO600M
Interface:	DC In , HDMI input, HDMI Output, 3.5mm Headphone out, TF card slot, Type C ,
Power Supply Method	NP-F / DC IN
Power Supply Voltage Input Range	7V-17V
Screen Resolution	1920*1080
Brightness	1000cd/m ²
Contrast Ratio	1200:1
Display Screen	5.5"TP
Video Input Format	1920*1080p60/59.94/50/30/29.97/25/24/23.98 1920*1080i60/59.94/50 1280*720p60/59.94/50
Video Recording Format	MP4(a single file can't exceed 4G)①
LUT Format	cube (17*17*17 / 33*33*33)②
Teleprompter File Format	txt③
Firmware Updates	TF card updates
Audio Frequency	48kHz
Product weight	300g
Dimensions	151*103*29.5mm
Transmission Frequency Band	5150-5250GHz,5745-5825GHZ
Transmission Power	17dBm
Latency	80ms④
Receiving Sensitivity	-80dBm
Power consumption	<8W
Transmit Range	1 TX unit + 1 RX unit, 150 meters as transmission distance.
	1 TX unit + 2 RX units, 100 meters as transmission distance.

Please note:

- ① Recording file It is under "Video" folder of root directory in TF card.
- ② The LUT file to be imported It is under "Lut" folder of root directory in TF card, and the LUT files should not exceed 50.
- ③ Teleprompter file It is under " Text" folder of root directory in TF card.
- ④ Latency The transmission delay is related to the current electromagnetic environment.



Download “shimbol” APP on Apple App Store.



Tel+86 0755-21004986

URL:www.zeroone-video.com

Address:2C, 2nd Floor, Building 6, Longbi Industrial Park
No.27 Dafa Road, Bantian Street, Longgang District, Shenzhen

Shenzhen ZO Video Technology Co., Ltd.

FCC 15.105

FCC STATEMENT

1. This device complies with Part 15 of the FCC Rules. Operation is subject to the following two conditions:

(1) This device may not cause harmful interference, and

(2) This device must accept any interference received, including interference that may cause undesired operation.

2. Changes or modifications not expressly approved by the party responsible for compliance could void the user's authority to operate the equipment.

This equipment has been tested and found to comply with the limits for a Class B digital device, pursuant to part 15 of the FCC Rules.

These limits are designed to provide reasonable protection against harmful interference in a residential installation.

This equipment generates, uses and can radiate radio frequency energy and,

if not installed and used in accordance with the instructions,

may cause harmful interference to radio communications.

However, there is no guarantee that interference will not occur in a particular installation.

If this equipment does cause harmful interference to radio or television reception,

which can be determined by turning the equipment off and on,

the user is encouraged to try to correct the interference by one or more of the following measures:

—Reorient or relocate the receiving antenna.

—Increase the separation between the equipment and receiver.

—Connect the equipment into an outlet on a circuit different from that to which the receiver is connected.

—Consult the dealer or an experienced radio/ TV technician for help.

FCC Radiation Exposure Statement:

This equipment complies with FCC radiation exposure limits set forth for an uncontrolled environment.

In order to avoid the possibility of exceeding the FCC radio frequency exposure limits,

Human proximity to the antenna shall not be less than 20cm (8 inches) during normal operation